

Installation manual

IRON DOG 07

©2022

BRUNNER[®]
made in germany.

CONTENTS

1	Safety precautions.....	2
2	Delivery contents.....	3
3	Transport.....	3
4	Type plate.....	3
5	Requirements to the installation area.....	3
6	Description of parts.....	4
6.1	Components (K012001).....	4
6.2	Front door assembly (K012008).....	5
6.3	Side door assembly (K0120009).....	6
6.4	Combustion chamber- assembly of the inner lining (K012044).....	7
7	Installation.....	8
7.1	Setting up.....	8
7.2	Change of the flue outlet from top to rear (optional).....	9
7.3	Change of the air inlet connection (optional).....	12
7.4	Installation of the combustion chamber inner lining.....	13
8	Distances.....	16
9	Combustion air.....	16
10	Chimney and smoke pipe connection.....	17
11	Initial operation.....	18
12	Dimensions.....	18

1 SAFETY PRECAUTIONS

We recommend having the **IRON DOG** installed and connected to the chimney by an authorized stove-fitter, as safety and effectiveness depend on a proper installation of the product. All European, national and local regulations must be observed and followed.

No liability or guarantee entitlements will be accepted for damage resulting from nonobservance of this installation manual!

Fireplaces must be built to ensure safe operation and fire-safety, so that dangers and unreasonable nuisances cannot appear.

Fireplaces may be set up only in rooms or areas with no risk of danger due to their state, structure or intended use.

Other manuals accompanying the insert are to be considered.

Subject to technical changes.

Please read attentively this installation manual before the beginning of the installation.

2 DELIVERY CONTENTS

The **IRON DOG** is delivered completely assembled on a disposable pallet. The **IRON DOGS** are screwed to the pallet;

In order to enable an optimal installation and connection of the **IRON DOG**, we recommend using the optional accessories. These are adjusted perfectly to the required safety distances and make it possible to install the **IRON DOG** rapidly and safely, without any problems - see www.iron-dog.com.

In case of damages due to transport the supplier and the transport company should be notified immediately.

3 TRANSPORT



Caution when turning over the device - loose parts!

Stove top, baffle plate and accessories are not screwed to the device. In order to reduce the weight during transport, these parts can be removed.

4 TYPE PLATE

The type plate is located on the device below the opening of the fireplace door.



Im. 1: Type plate

5 REQUIREMENTS TO THE INSTALLATION AREA

Possible locations for an **IRON DOG** are only such rooms, where no danger can occur, if only the instructions for use are being followed and the system is properly used. The state, structure and intended use of the room must be considered when choosing the location.

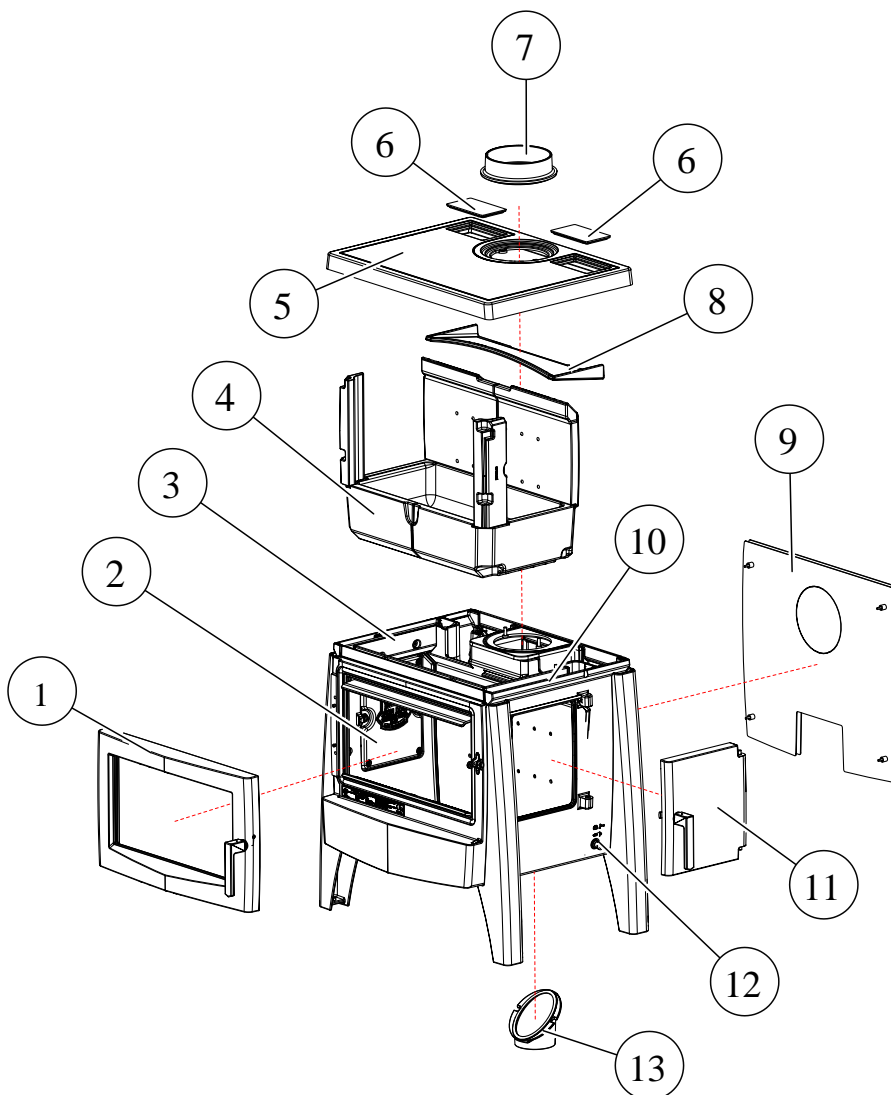
The installation of the **IRON DOGD**, the chimney connection and the combustion air supply must be arranged in consultation with the stove-fitter.

The **IRON DOG** should not be installed in places where the necessary supply of combustion air is not guaranteed or in places where flammable materials or explosives are stored, manufactured or processed.

The floor area where the device is installed must be large enough and configured in such a way that it allows a proper operation of the stove.

6 DESCRIPTION OF PARTS

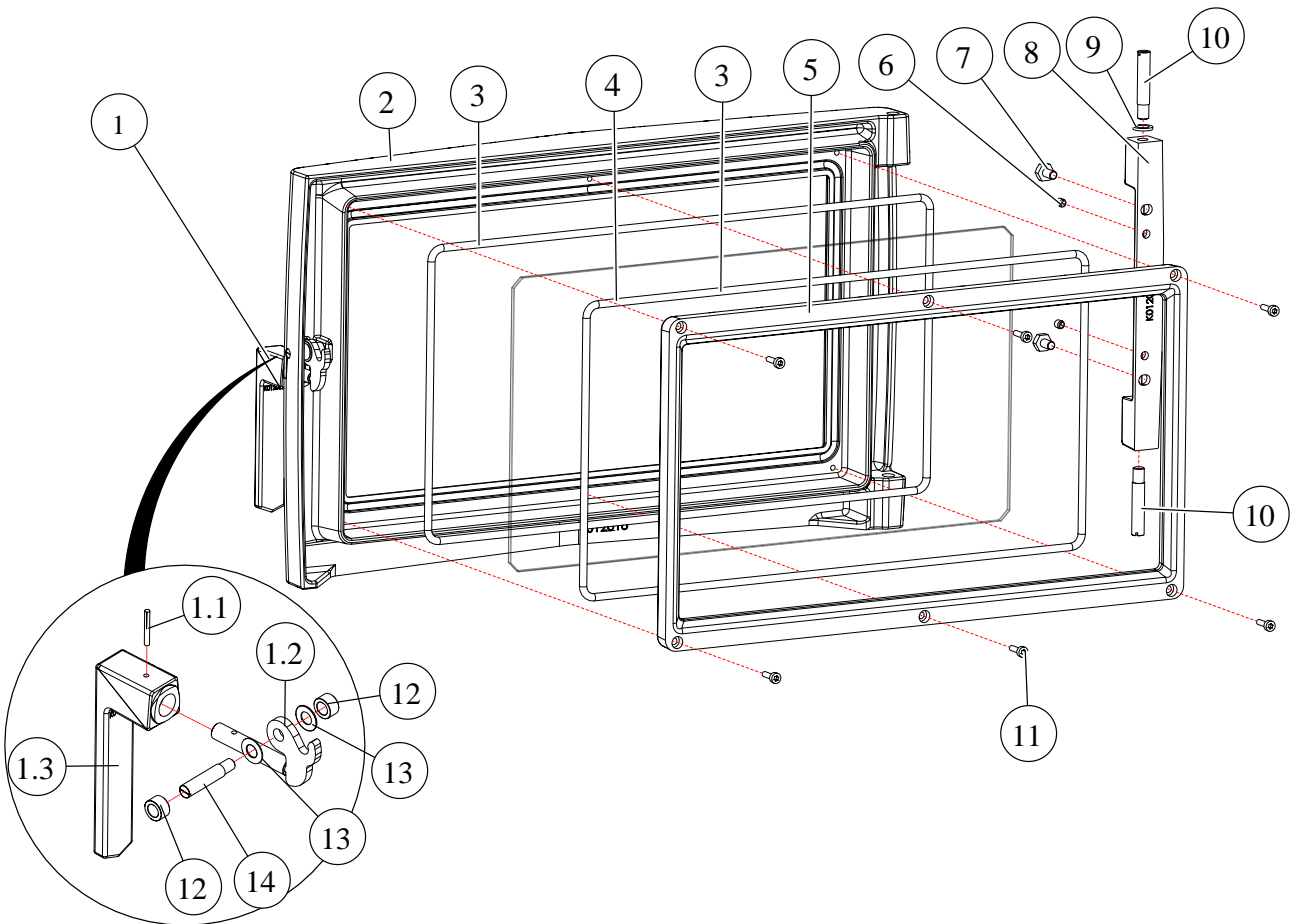
6.1 COMPONENTS (K012001)



Pos.	Article	Designation	pcs	Pos.	Article	Designation	pcs
1	K012008	Front door assembly	1	2	K012055-02	Side door assembly	1
3	K012031	Upper air duct left side	1	4	K012044	Combustion chamber inner lining	1

5	K012066	Hot plate	1	6	K012034	Cleaning inlay assembly	2
7	K009152 K009089	Smoke pipe assembly Ø100 Smoke pipe assembly Ø150	1	8	K012033	Baffle plate	1
9	K012082	Radiation shield back wall	1	10	K012027	Upper air duct right side	1
11	K012009	Firing door assembly	1	12	K012037	Air control push rod	1
13	K012079	Air nozzle assembly D100	1				

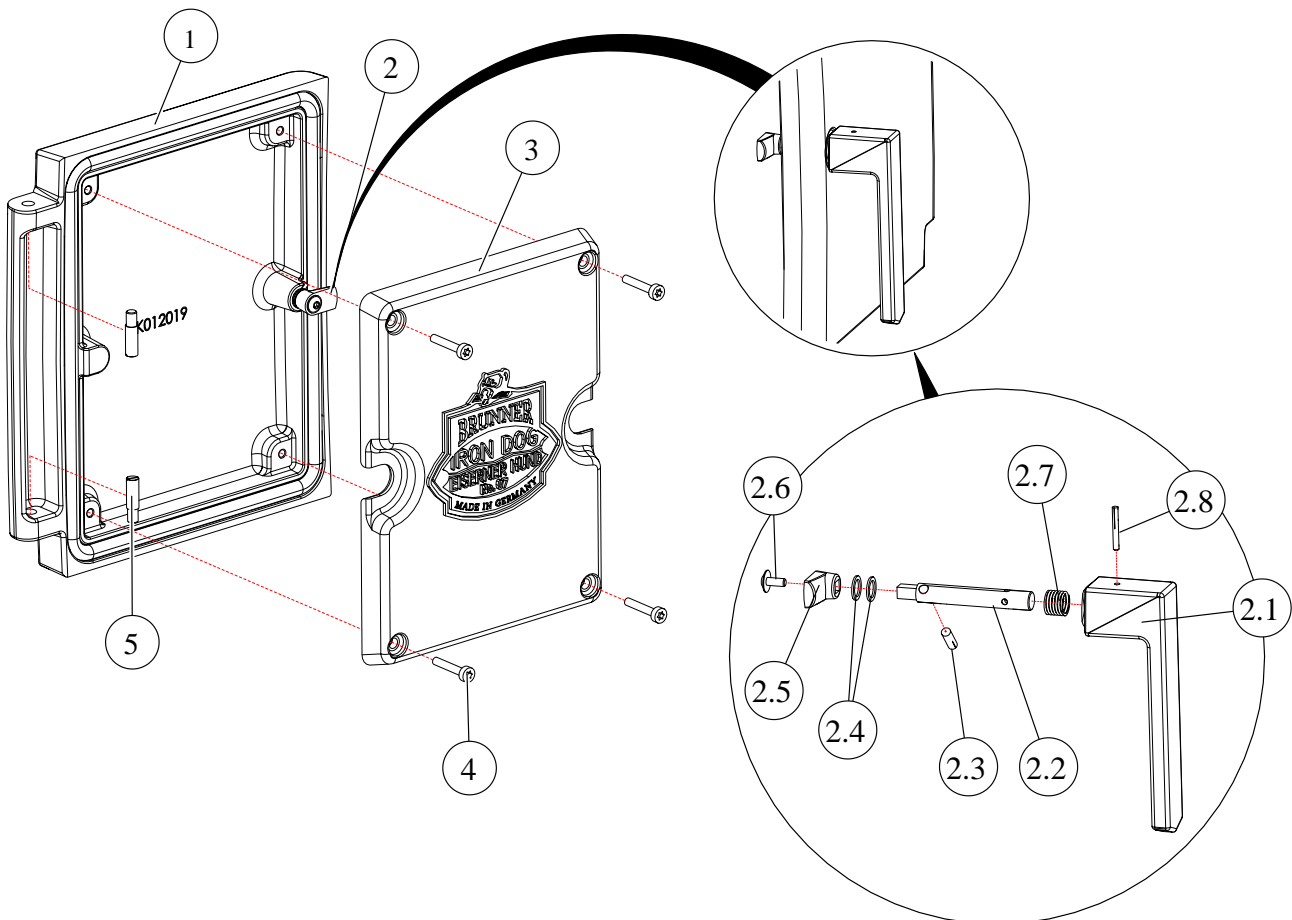
6.2 FRONT DOOR ASSEMBLY (K012008)



Pos.	Article	Designation	Pcs.	Pos.	Article	Designation	Pcs.
1	K012049	Front door assembly	1	1.1	800538	Grooved pin D3x24	1
1.2	K012062	Locking hook front door	1	1.3	K012006-01	Door handle	1
2	K012018-01	Door- front	1	3	K012057	Glass panel sealing for front door	2
4	K012024	Front glass panel	1	5	K012022-01	Glass-holding frame front door	1
6	800252	Grub screw M8x6	2	7	800452	Hexagon screw M8x12	2
8	K012015-01	Front door hinge	1	9	901077	Ring for shaft screw	1
10	800296	Shaft screw M10x55	2	11	02095	Cap screw M5x16	6

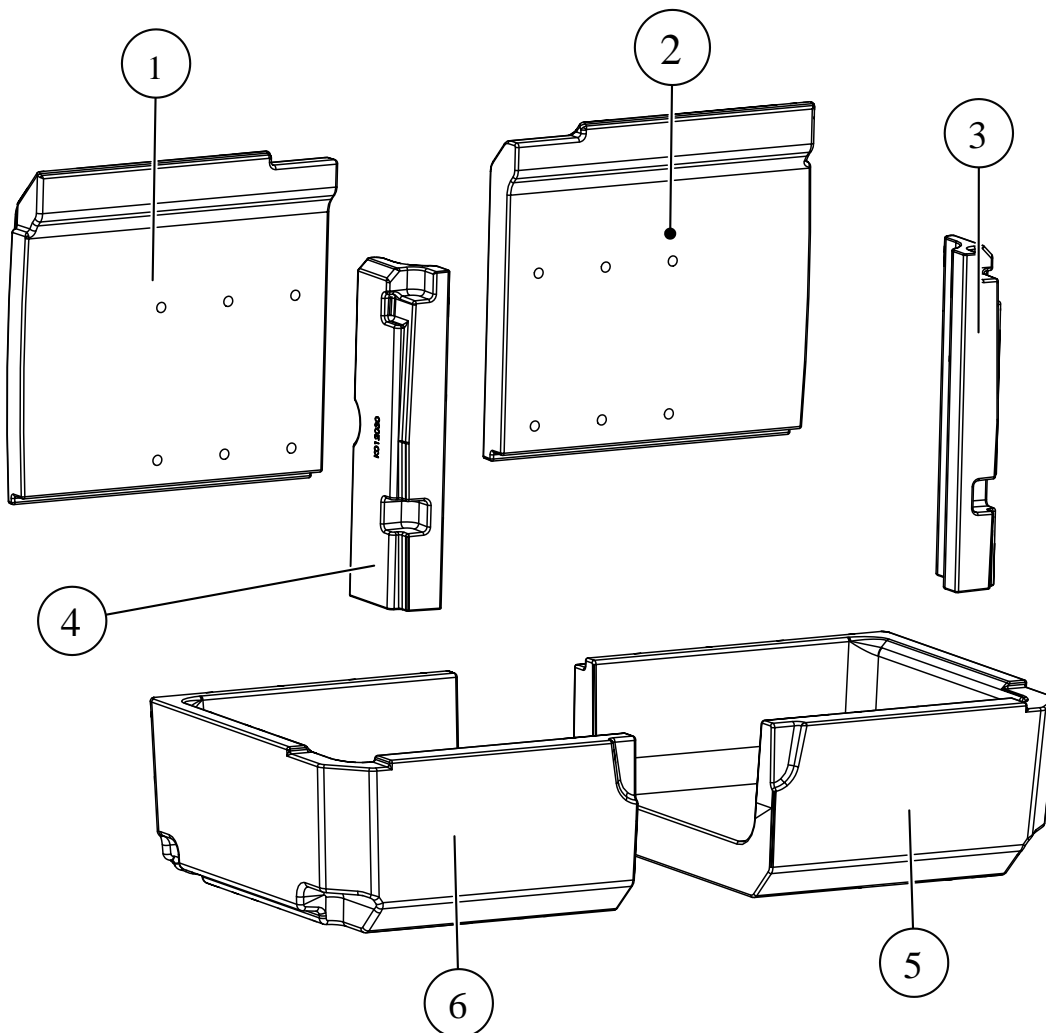
Pos.	Article	Designation	Pcs.	Pos.	Article	Designation	Pcs.
12	K012056	Spacer for the handle	2	13	800569	Disc spring	2
14	800440	Shaft screw M8x30	1				

6.3 SIDE DOOR ASSEMBLY (K0120009)



Pos.	Article	Designation	Pcs	Pos.	Article	Designation	Pcs
1	K012019-01	Side door	1	2.6	01762	Lens head screw M5x10	1
2	K012041-01	Door handle left/right	1	2.7	K006081	Compression spring for door handle	1
2.1	K012006-01	Door handle	1	2.8	800538	Grooved pin D3x24	1
2.2	K012042	Door latch pin left/right	1	3	K012021-01	Heat shield side door	1
2.3	800393	Grooved pin M5x25	1	4	800300	Cap screw M6x30	4
2.4	D017067	Compensating shim for door handle	2	5	800287	Shaft screw M8x30	2
2.5	08131	Locking tongue	1				

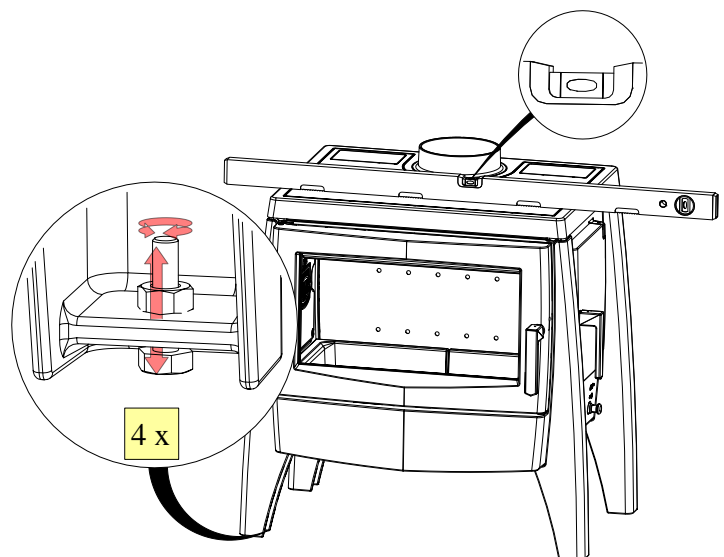
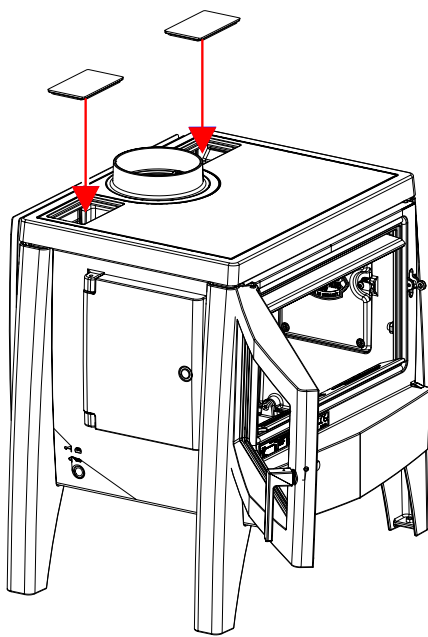
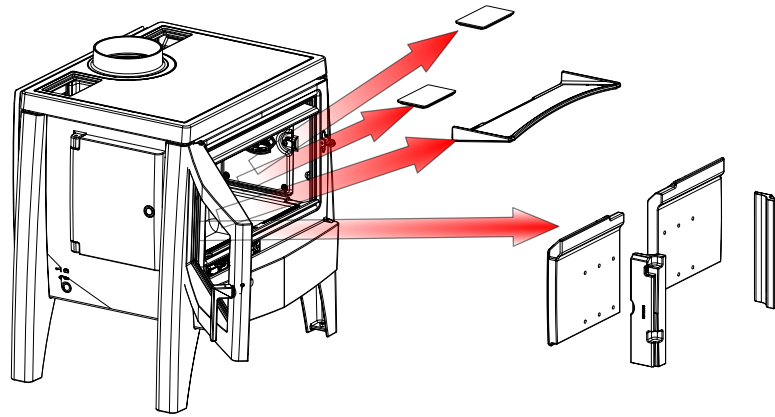
6.4 COMBUSTION CHAMBER- ASSEMBLY OF THE INNER LINING (K012044)



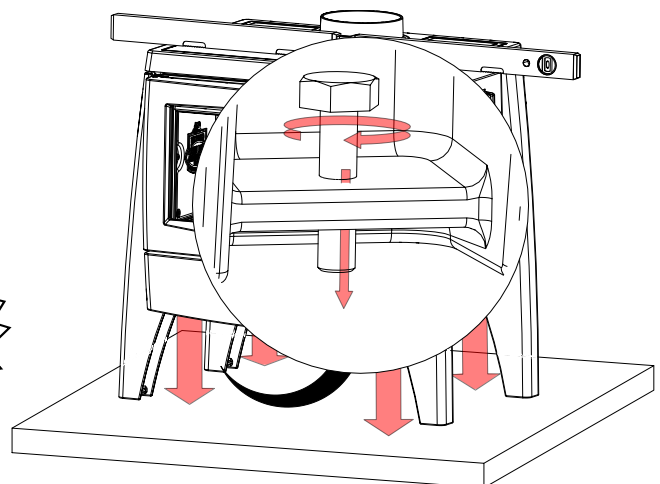
Pos.	Article	Designation	Pcs.	Pos.	Article	Designation	Pcs.
1	K012046	Backwall left	1	4	K012030	Sidewall plate left	1
2	K012029	Backwall right	1	5	K012028	Bottom inlay right	1
3	K012043	Sidewall plate right	1	6	K012045	Bottom inlay left	1

7 INSTALLATION

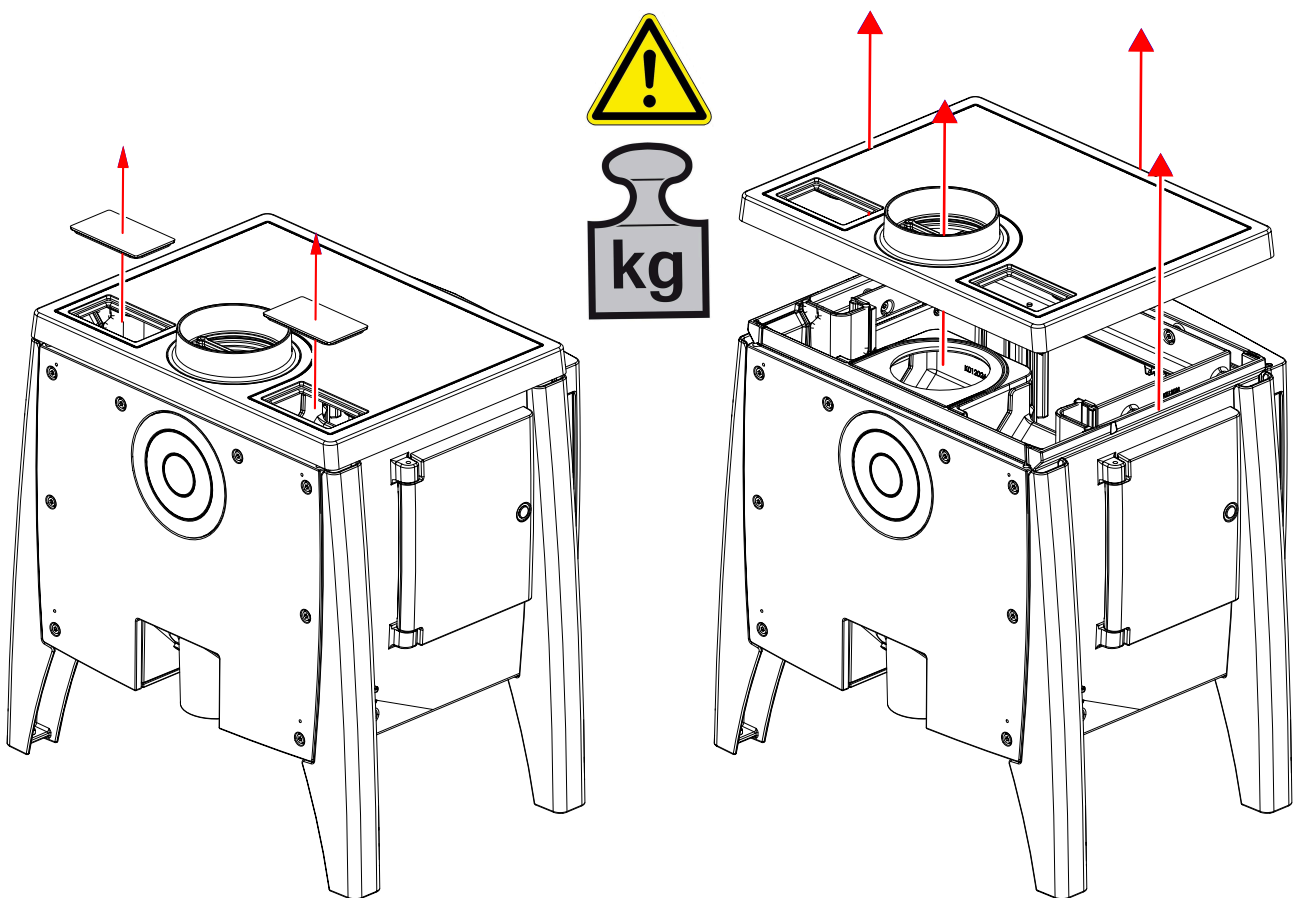
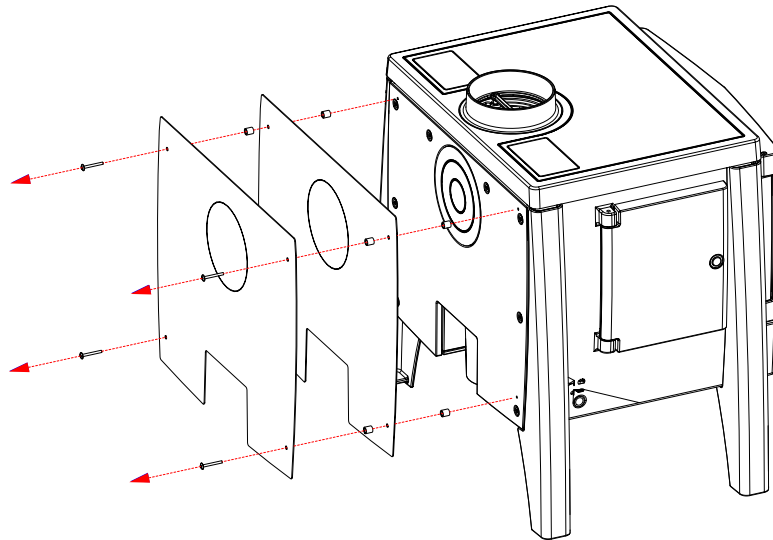
7.1 SETTING UP

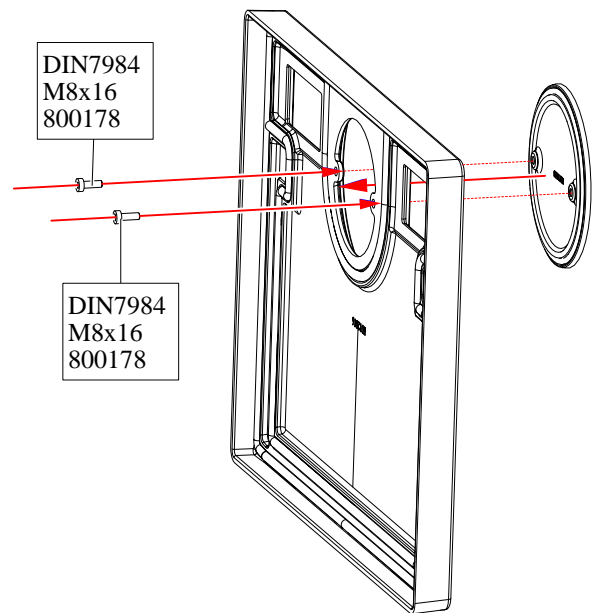
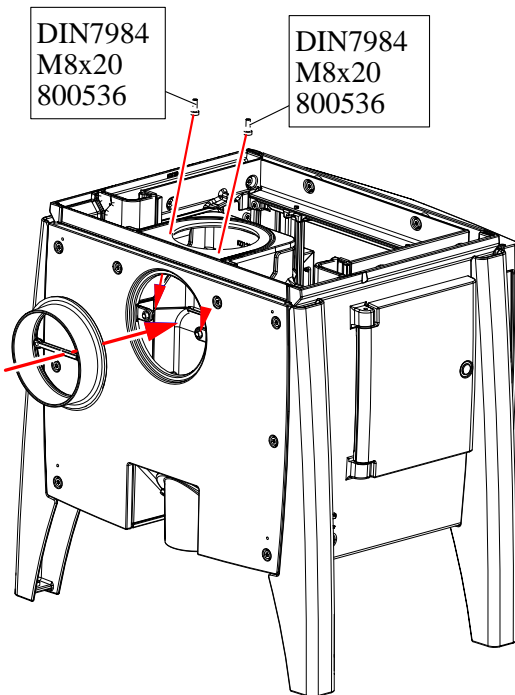
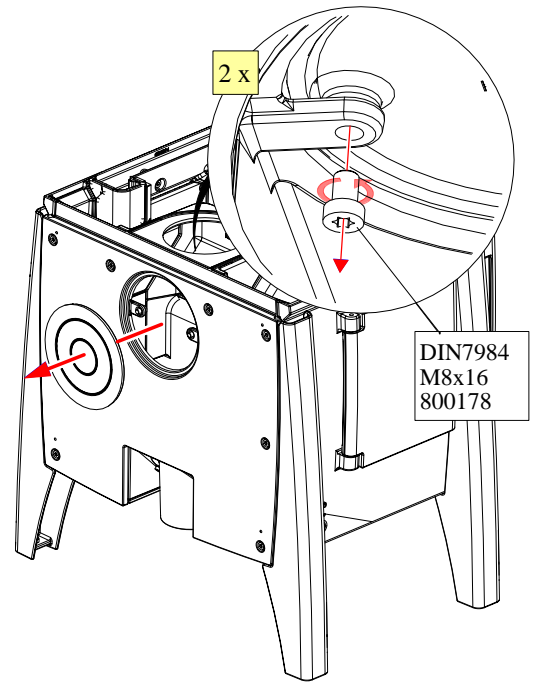
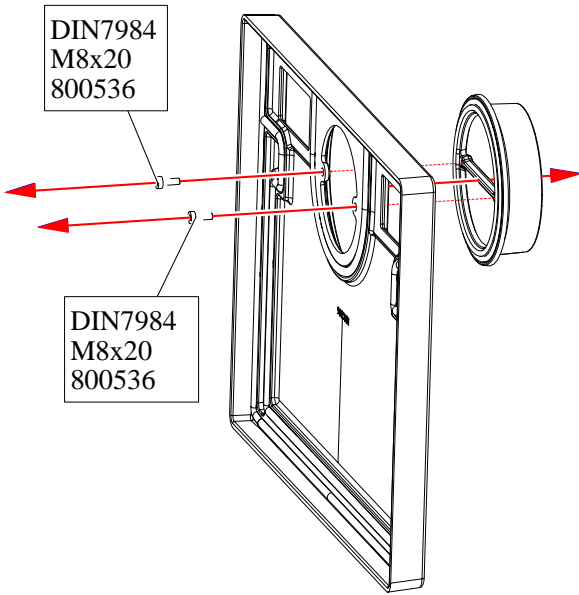


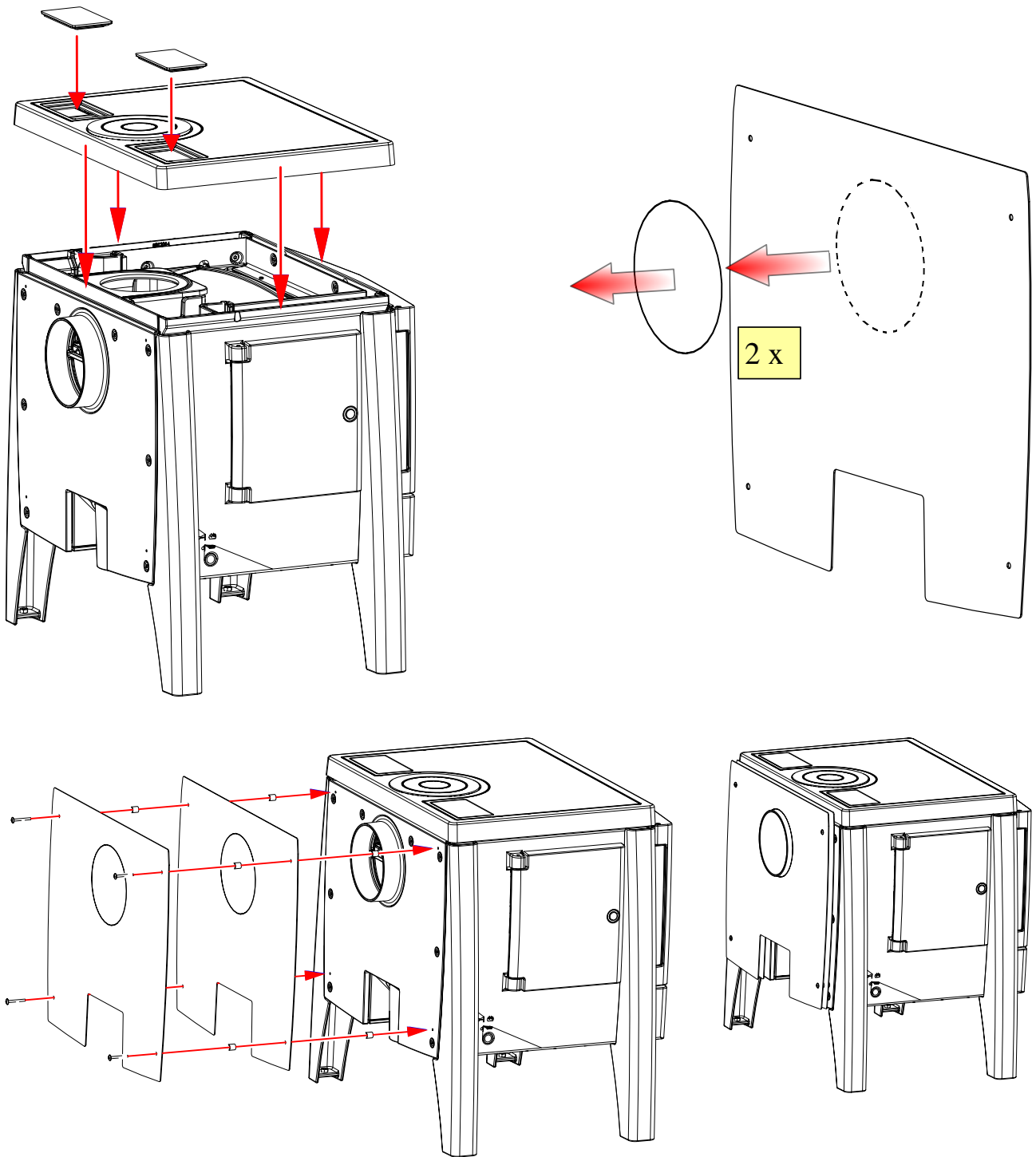
Optional



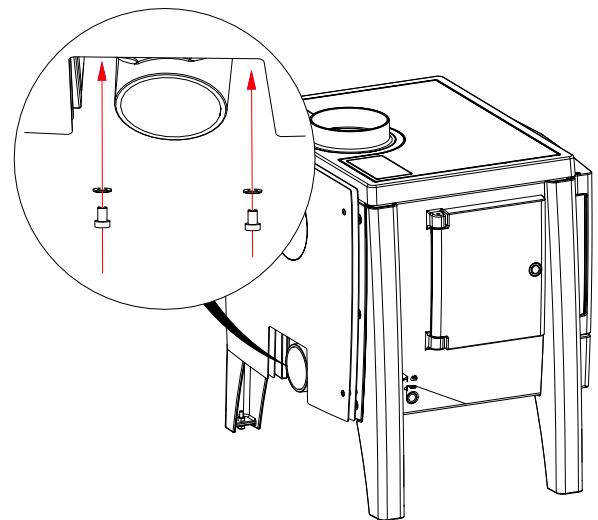
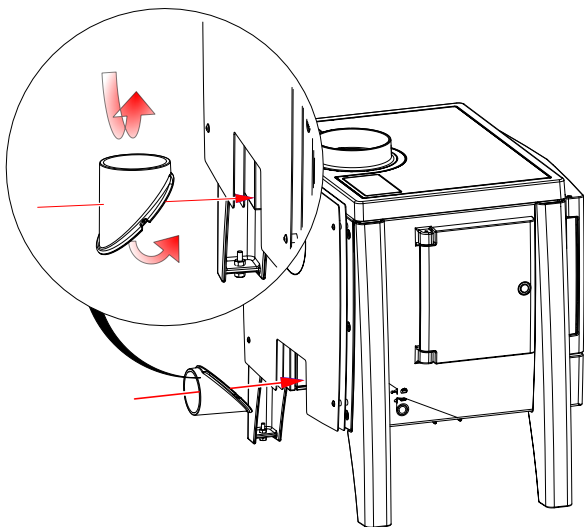
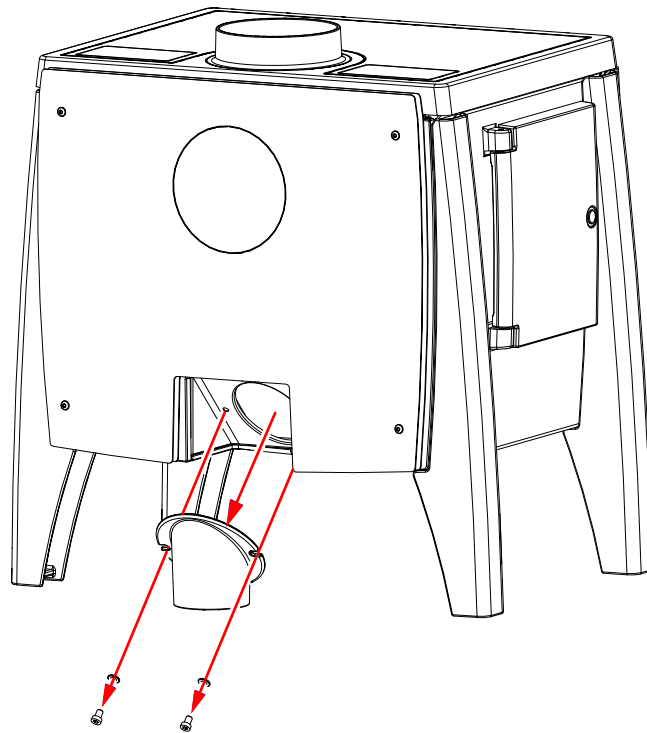
7.2 CHANGE OF THE FLUE OUTLET FROM TOP TO REAR (OPTIONAL)



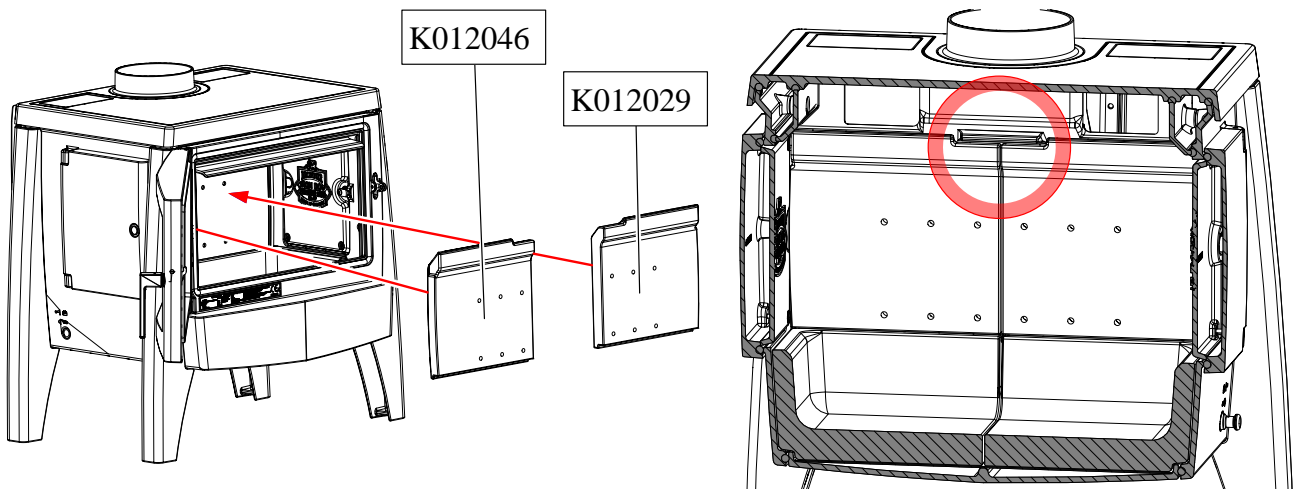
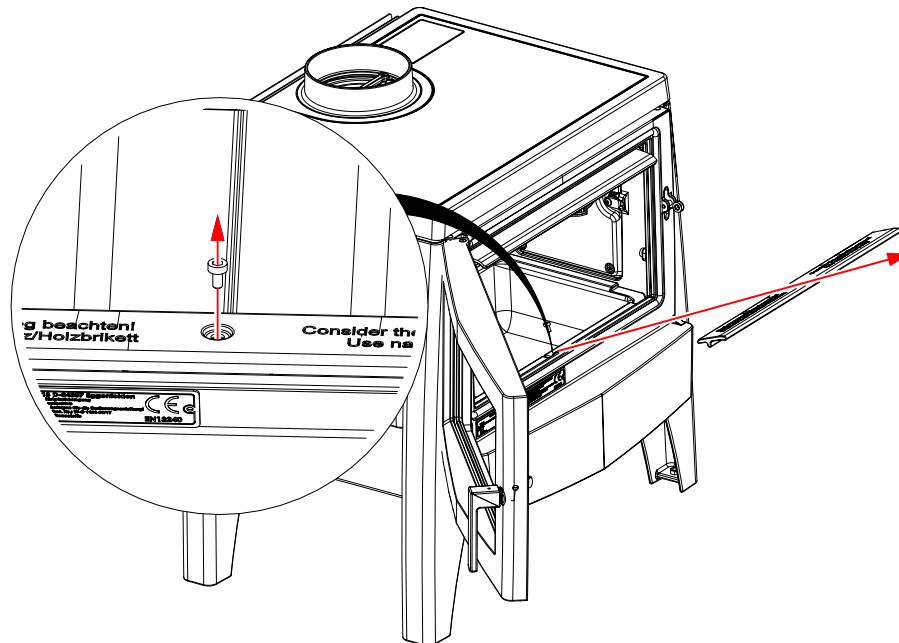


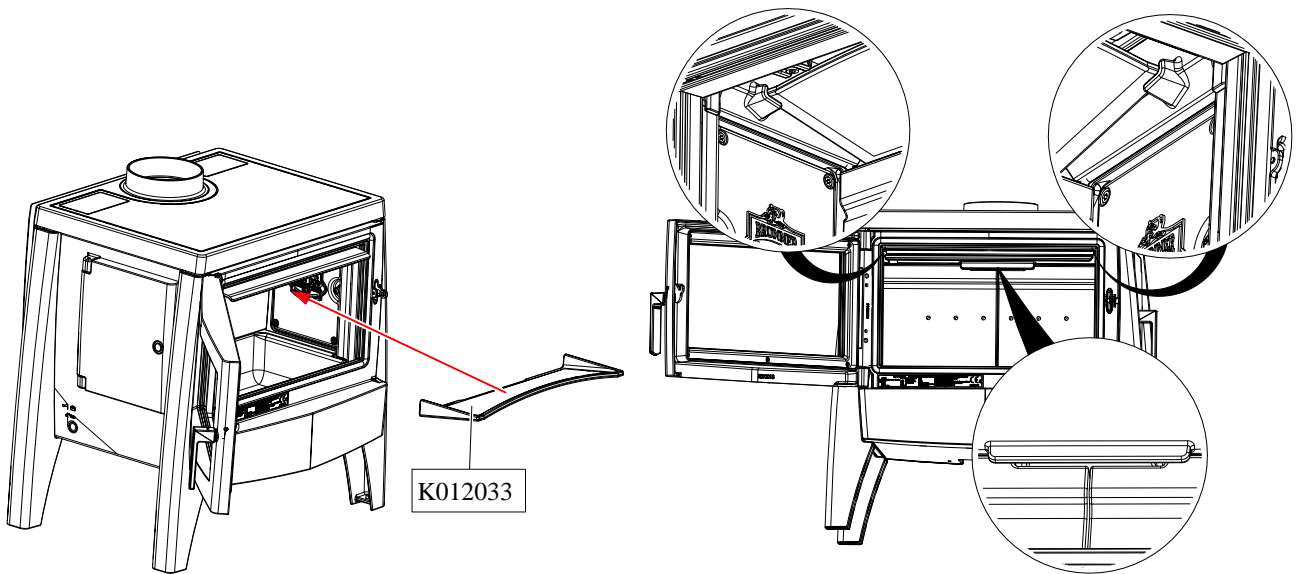
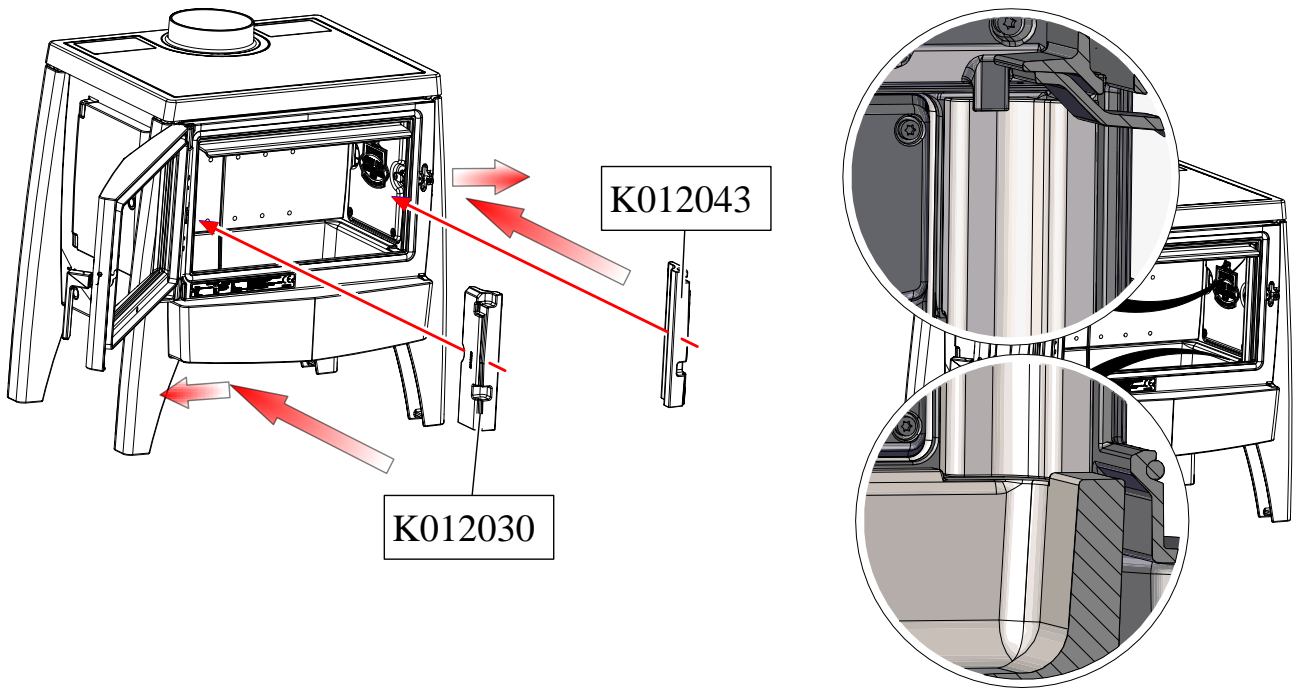


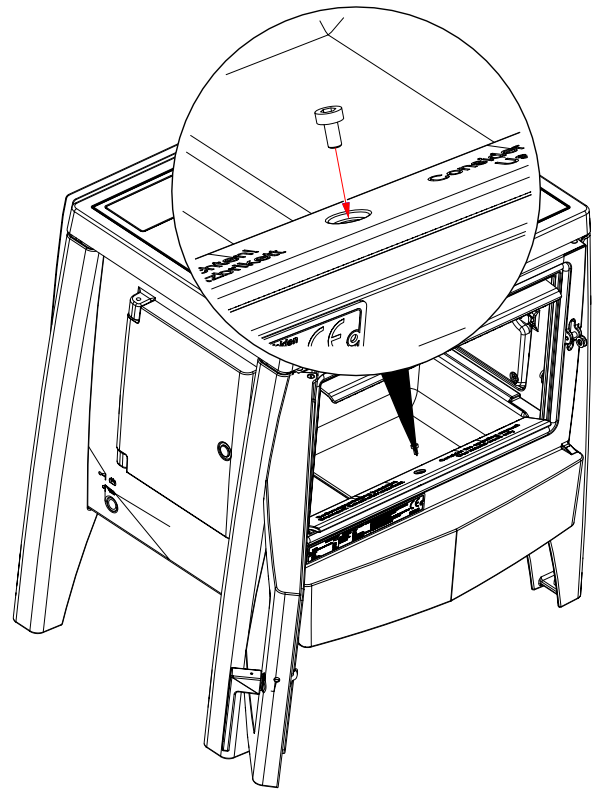
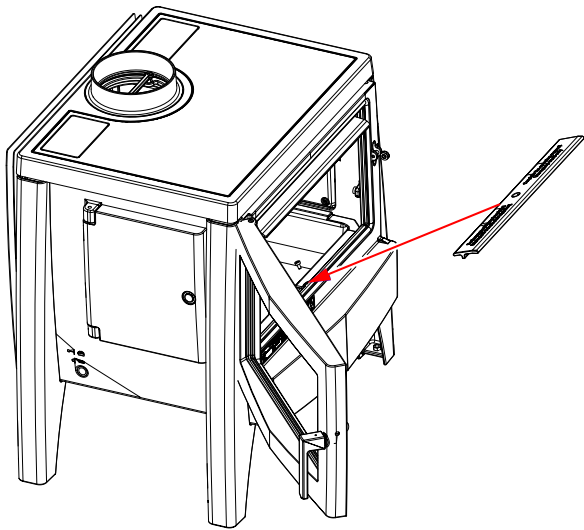
7.3 CHANGE OF THE AIR INLET CONNECTION (OPTIONAL)



7.4 INSTALLATION OF THE COMBUSTION CHAMBER INNER LINING





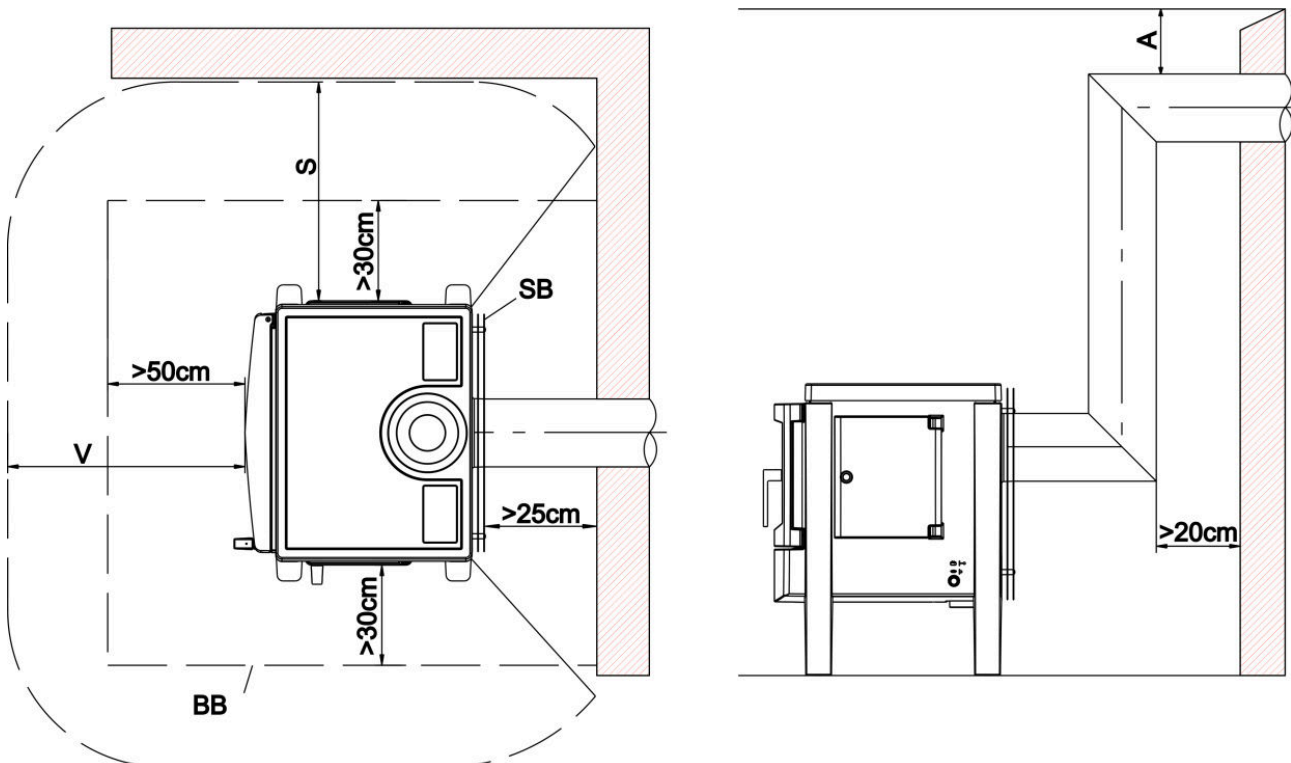


8 DISTANCES

The floor area (BB) under and in front of the Iron Dog must consist of an incombustible cover. Details can be found in the technical data.



The given safety distances guarantee that at adjacent construction parts (wall) no temperatures $> 85^{\circ}\text{C}$ can appear. If necessary keep bigger distances towards delicate objects and furniture. If in addition to the radiation shield "SB" also a ventilated double-walled wall protection shield is used, the distance to the wall can be reduced to "W" (not shown in the illustration). The safety distance of the smoke pipe to the ceiling of the building "A" depends on the material used for the ceiling. Contact your chimney sweep!



Im. 2: Recommended distances to the Iron Dog

9 COMBUSTION AIR

A heating device may be located only in rooms, where sufficient combustion air supply is guaranteed. Normal operation requires sufficient air supply using a separate **combustion air connection**.

Sufficient combustion air supply is present, when by natural means or using technical equipment a combustion air volume of $12,5 \text{ m}^3$ per 1 kg fuel throughput can stream into a room with wood-burning fireplace over a period of 1 hour at calculated negative pressure below $0,04 \text{ mbar}$ (4 Pa) against outside air pressure. This is equivalent to a speculative heating power (PLF) of 8 kW per 1 kg fuel throughput.

Combustion air supply is ensured in rooms with at least one window or one door leading to the exterior that can be opened, or when these rooms are directly connected or interconnected by air with other rooms of such type. Rooms considered as directly connected or interconnected by air, can as such be only parts of one flat or one facility of other kind. Particular attention to combustion air supply is to be paid, when exhaust fans and other heat generators in the same room combination are operated, or when multiple heating devices are connected to one single chimney.

Ventilation systems in this room combination cannot create negative pressure, which could affect the functioning of the fireplace. Exhaust ventilation systems operating in the same room or room combination together with fireplaces, can cause many problems.

When in the same room or additional rooms in connection other fireplaces are in operation, these fireplaces require at least 1,6 m³ of combustion air per hour for each kW of their total rated heat power. When a room contains only a small volume of air and furthermore, the building is relatively air-tight, a separate combustion air supply leading to the exterior is required.

Ventilation lines or shafts must be tight and accessible for revision and cleaning. Ventilation air grilles cannot narrow the free cross section.

Make sure to avoid the risk of water condensation in combustion air pipe when cold air is aspirated from outside the building!

Remember about noise insulation!

Ventilation lines and their insulation materials must not contain any combustible ingredients (class A1 building materials). For buildings with more than two storeys and when crossing fire protection walls, the construction of these ventilation lines must prevent fire and smoke from penetrating other fire protection zones (their components must have a fire resistance rating of >90 minutes (F90)). See also regional building law.

10 CHIMNEY AND SMOKE PIPE CONNECTION

Chimney and smoke pipe connection design must be in accordance with DIN 18160.1; dimensions must be calculated according to DIN EN 13384. For calculations, please consider that with open doors (when stoking wood) a significantly increased air volume must be led away safely.

When using a steel smoke pipe as connecting piece between additional heating surfaces and chimney, the pipe wall thickness must be at least 2 mm. The connecting piece must be connected directly to the chimney.

For a safe operation a soot fire resistant chimney T400 is required.

All smoke pipe connections must be sealed tightly! Remember to provide access for cleaning!

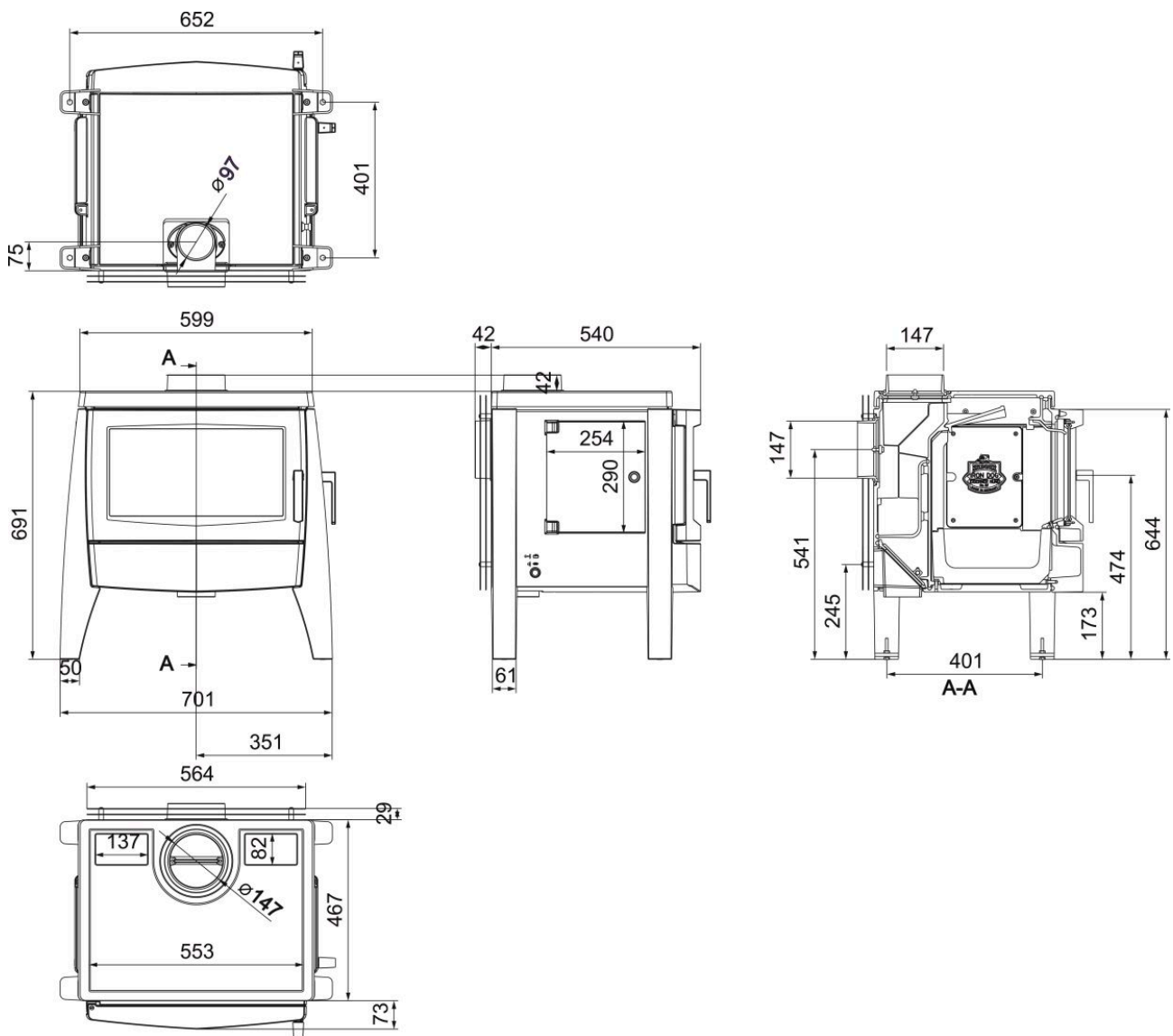
11 INITIAL OPERATION

Check the correct position of the fireplace parts. The baffle plate (not Iron Dog 06) must touch the back wall. Up to the first reaching of the maximum operating temperature, the paint keeps hardening. This may cause some smoke and smell nuisances. Therefore it is important to ensure sufficient room ventilation. Open doors and windows. Don't stay in the room longer than necessary.



Please read the user manual!

12 DIMENSIONS



TECHNICAL DATA

Rated heat power	kW	7,0
Flue gas mass flow	g/s	5,9
Outlet temperature at exhaust gas stub	°C	278
Minimum chimney pressure	Pa	12
Combustion air consumption	m ³ /h	18
Heating capacity	m ²	50 - 90
Firewood consumption / h	kg	2,2
Quantity of wood	kg	1,6 - 2,5
Recommended log lengths	cm	25 - 33
Efficiency	%	85,3

Device data

Dimensions with front handle (h x w x d)	mm	692 x 702 x 594
Dimensions without front handle (h x w x d)	mm	692 x 702 570
Window surface (h x w)	mm	226 x 449
Fire chamber front opening (h x w)	mm	216 x 461
Fire chamber side opening (h x w)	mm	261 x 196
Smoke pipe connection		Top / Rear
Smoke pipe ø	mm	150
Fire chamber depth	cm	49
Weight	kg	220

Minimal distance

to the side wall "S"	cm	80
to rear (with stove radiation shield and wall protection shield) "W"	cm	10
To the front "V"	cm	80

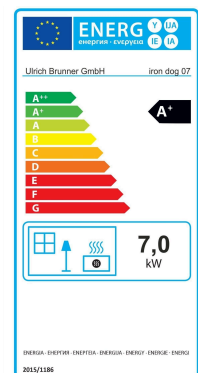
Tested according to

EN13240

The data are acquired during a EN 13240-test – room heater with horizontal smoke pipe connection, pipe length 35 cm

Product data sheet according to (EU) 2015/1186:

Supplier's name or trademark	Ulrich Brunner GmbH
Model identifier:	Iron Dog 07
Energy efficiency class:	A+
Direct heat output:	7,0 kW
Indirect heat output:	N.A. kW
Energy efficiency index:	109
Fuel energy efficiency (at nominal heat output):	82,0 %
Fuel energy efficiency (at minimum load):	N.A. %
Special precautions: see supplied product documentation	



Ulrich Brunner GmbH
Zellhuber Ring 17-18
D-84307 Eggenfelden
Tel.: +49 (0) 8721/771-0 / Fax: +49 (0) 8721/771-100
Email: info@brunner.de

Technical and assortment changes as well as errors and misprints reserved.

Reprinting and reproduction, even in part, only with the express permission of the publisher.

Art.Nr.: 200860